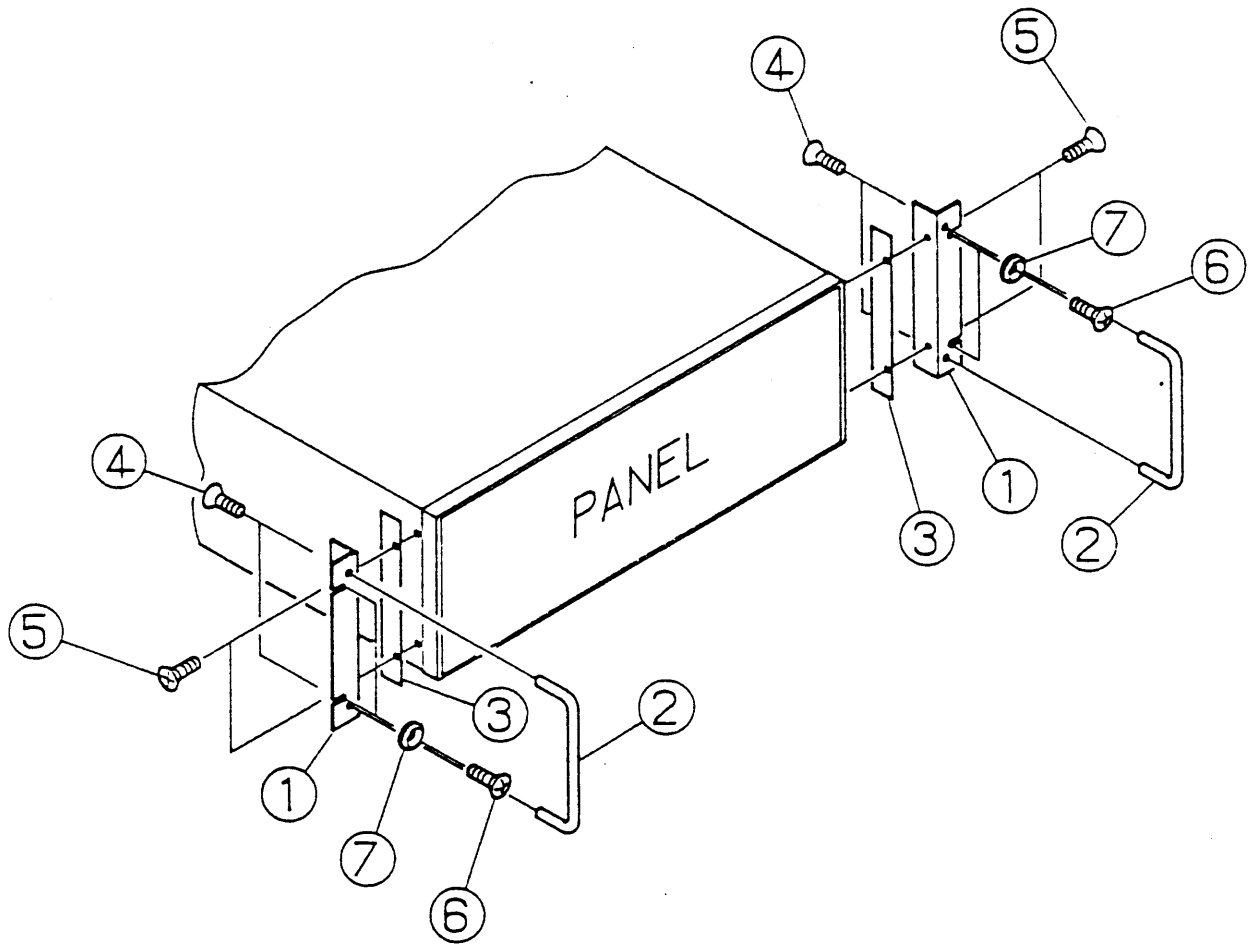


BRACKET BH3M-TOS



注意: ラック等に収納の際は、内部に於いてもガイドレール(サポートアングル)等にて支持して下さい。

Note: In case of mounting any instrument using these brackets on a rack etc., please support it with a guide-rail (or support angle-brackets etc.) behind the instrument without fail.

NO.	DESCRIPTION	QTY	CODE NO.
1	BRKT BH3M-TOS	2	B9-946-801
2	HANDLE THA-31-SUS-F-6 CODE3884	2	E6-070-101
3	SPACER	2	Q1-071-131
4	SCREW, FLAT HEAD M5x0.8x10 S-ZN	4	M2-001-191
5	SCREW, FLAT HEAD M4x0.7x12 S-ZN	4	M2-001-381
6	SCREW, OVAL HEAD M5x0.8x14 B-NI	4	M2-002-091
7	FINISHING WASHER 5CW	4	M5-003-031